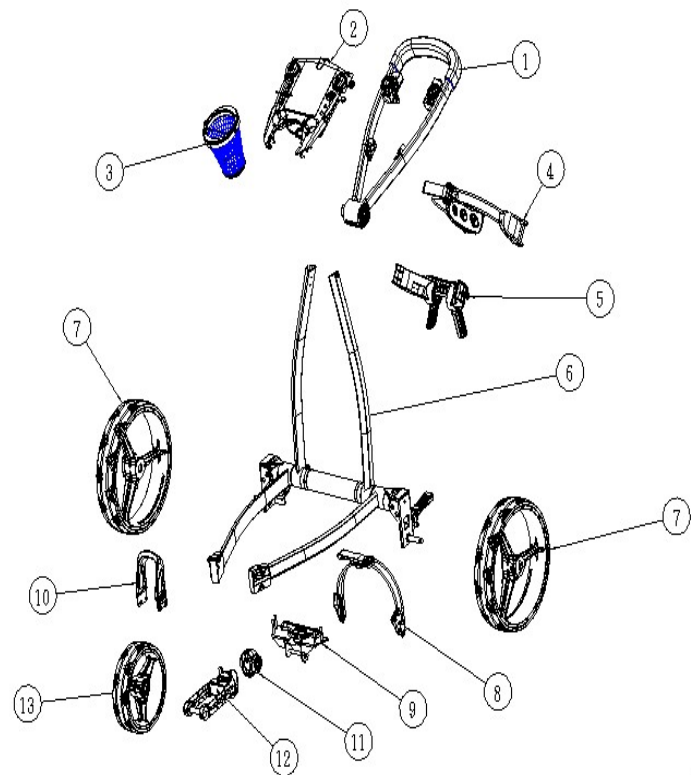


| Subble n | 英文品名 | 色碼 | Union No |
|----------|--|----------|----------------|
| 1 | BLADE IP Handle frame | WHT | 606120-1C92 |
| | BLADE IP Handle frame | WHT/lme | 606120-1E64 |
| | BLADE IP Handle frame | GRY | 606120-1E74 |
| 2 | BLADE+ /BLADE IP Scorecard holder | RED | 606120-2O.B |
| | BLADE+ /BLADE IP Scorecard holder | GRY | 606120-2E74 |
| 3 | BLADE+/IP Drink holder-BLK | BLK | 606120-3O.B |
| 4 | BLADE IP Upper wings+straps | BLK | 606120-5O.B |
| | BLADE IP Upper wings+straps | GRY | 606120-5E74 |
| 5 | Blade IP Upper bag holder | RED | 606150-1B/R |
| | Blade IP Upper bag holder | Lime | 606150-1G |
| | Blade IP Upper bag holder | GRY | 606150-1E74 |
| 6 | Blade IP Upper and lower frame | WHT/RED | 606150-2C92 |
| | Blade IP Upper and lower frame | Phtm/red | 606150-2C95 |
| | Blade IP Upper and lower frame | GRY | 606150-2E74 |
| | Blade + / IP rear wheel | WHT/BLK | 606130-7938 |
| | Blade + / IP rear wheel | BLK/BLK | 606130-7939 |
| | Blade + / IP rear wheel | GRY | 606130-7E74 |
| 8 | BLADE IP Lower wings+straps | BLK | 606150-3O.B |
| | BLADE IP Lower wings+straps | GRY | 606150-3E74 |
| 9 | Blade IP Front wheel holder | BLK | PW7023001C08 |
| 10 | Blade+/Blade IP Lower bag holder | BLK | 606120-20O.B |
| 11 | Blade +/Blade IP front fork fixing piece | BLK | 606120-16O.B |
| 12 | Blade + / IP Front wheel fork | BLK | 606120-17C08 |
| 13 | Blade + / IP Front wheel | RED/BLK | 606130-9612 |
| | Blade + / IP Front wheel | WHT/BLK | 606130-9938 |
| | Blade + / IP Front wheel | BLK/BLK | 606130-9939 |
| | Blade + / IP Front wheel | GRY | 606130-9E74 |
| 14 | Blade IP main frame (R side) | Phntm | PF4606150_BC95 |
| | Blade IP main frame (R side) | White | PF4606150_BC92 |
| | Blade IP main frame (R side) | GRY | PF4606150_BE74 |
| 15 | Blade IP main frame (L side) | Phntm | PF4606150_AC95 |
| | Blade IP main frame (L side) | WHT | PF4606150_AC92 |
| | Blade IP main frame (L side) | GRY | PF4606150_AE74 |



| | | | |
|----------|---|-------|----------------|
| 16 | Blade IP Lower frame (R side) | Phntm | PF5606150_BC95 |
| | Blade IP Lower frame (R side) | WHT | PF5606150_BC92 |
| | Blade IP Lower frame (R side) | GRY | PF5606150_BE74 |
| 17 | Blade IP Lower frame (L side) | Phntm | PF5606150_AC95 |
| | Blade IP Lower frame (L side) | WHT | PF5606150_AC92 |
| | Blade IP Lower frame (L side) | GRY | PF5606150_AE74 |
| 18 | Blade IP axle frame | Phntm | 606150-4C95 |
| | Blade IP axle frame | WHT | 606150-4C92 |
| | Blade IP axle frame | GRY | 606150-4E74 |
| 19 | Blade IP Wheel knuckle (R side) | BLK | 606150-5C08 |
| 20 | Blade IP Wheel knuckle (L side) | BLK | 606150-6C08 |
| 1 revise | Blade IP/Blade+ Foot brake (L) | RED | PJ3606150_AB/R |
| | Blade IP/Blae+ Foot brake (L) | GRY | PJ3606150_AE74 |
| 2 revise | Blade IP/Blade+ Foot brake (R) | RED | PJ3606150_BB/R |
| | Blade IP/Blade+ Foot brake (R) | GRY | PJ3606150_BE74 |
| 23 | Blade IP Axle Rotating part (R) | BLK | 606150-7O.B |
| 24 | Blade IP Axle Rotating part (L) | BLK | 606150-8O.B |
| 25 | Blade IP axle sliding part + PIN | BLK | 606150-9C08 |
| 26 | Blade IP Axle cover + he-she bolt | BLK | 606150-10O.B |
| 27 | Blade IP Lower frame plug (R) | BLK | PC0606150_BO.B |
| 28 | Blade IP Lower frame plug (L) | BLK | PC0606150_AO.B |
| 29 | Blade IP lower bag holder fixing part (R) | BLK | PI0606150_1O.B |
| 30 | Blade IP lower bag holder fixing part (L) | BLK | PI0606150_3O.B |

